

# COBALT™ RSSD

---



## COBALT™ REMOVABLE SOLID STATE DRIVE

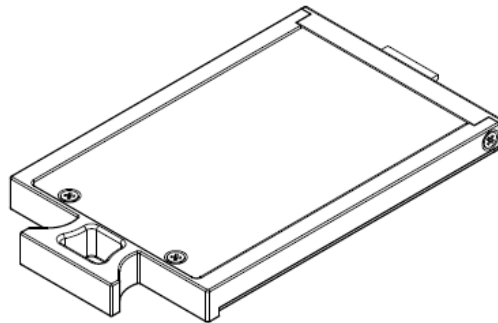
- ▶ RSSDs with orderable storage capacity options, up to 1TByte
- ▶ high insertion/extraction cycles
- ▶ compatible with COBALT™ front removable drive bay

The Removable Solids State Drives (RSSD) are small form factor 1.8" Serial ATA drives that are housed in independent aluminum canisters. This specialized housing is designed to install easily into the COBALT™ system front removable drive bay and supports high shock and vibration requirements required.

A specialized connector ensures continued reliability even after thousands of insertion/extraction cycles. Once installed, the RSSD cover on the COBALT™ system can be hand tightened down onto the housing to ensure the RSSD remains fixed into the system and provides the environmental protection.

## ▶ TECHNICAL INFORMATION

FORM FACTOR	1.8" Solid State Drive
MTBF	> 2M hours
INSERTION/EXTRATION	> 10,000 cycles
TEMPERATURE	-40C to +71°C
WEIGHT	0.25 lbs (0.11 kg)
DIMENSIONS	2.4" (61mm) W x 4.1" (104mm) D x 0.34" (8.6mm) H



## ▶ ORDERING INFORMATION

PART NO.	DESCRIPTION
5160550-2	RSSD, 128GB
5160550-3	RSSD, 256GB
5160550-4	RSSD, 512GB
5160550-5	RSSD, 1TB

## ▶ CORPORATE OFFICES

### EUROPE, MIDDLE EAST & AFRICA

Lise-Meitner-Str. 3-5  
86156 Augsburg  
Germany  
Tel.: + 49 821 4086 0  
Fax: + 49 821 4086 111  
info@kontron.com

### NORTH AMERICA

14118 Stowe Drive  
Poway, CA 92064-7147  
USA  
Tel.: + 1 888 294 4558  
Fax: + 1 858 677 0898  
info@us.kontron.com

### ASIA PACIFIC

1-2F, 10 Building, No. 8 Liangshuihe 2nd Street,  
Economic & Technological Development Zone,  
Beijing, 100176, P.R.China  
Tel.: +86 10 63751188  
Fax: +86 10 83682438  
info@kontron.cn

[www.kontron.com](http://www.kontron.com)